

ST SUPER THERMOCOUPLES

MODEL SST-710T

***GENERAL SPECIFICATION**

- PROBE TYPE SUPER SHEATHED TYPE
- TERMINAL HEAD WEATHER PROOF TYPE
- MATERIAL ALUMINUM ALLOY
- SURFACE COLOR METALLIC SILVER
- TERMINAL BLOCK CERAMIC MATERIAL
- MOUNTING TYPE ADJUSTABLE SCREW

***ORDER SPECIFICATION**

ELEMENT

① CALIBRATION

1. N 2. K

② GRADE

1. CLASS 1 2. CLASS 2
 3. CLASS 3 4. OTHER []

③ NUMBER OF ELEMENT WIRE

1. 2-WIRE [SINGLE] 2. 4-WIRE [DUAL]

④ TYPE OF HOT JUNCTION

1. GROUNDED TYPE
 2. UNGROUNDED TYPE
 3. EXPOSED TYPE

SHEATHED TUBE

⑤ MATERIAL

1. SUPPER ALLOY 2. OTHER []

⑥ OUT DIA (φD)

1. 0.25 2. 0.5 3. 1.0 4. 1.6
 5. 2.3 6. 3.2 7. 4.8 8. 6.4
 9. 8.0 10. OTHER []

⑦ LENGTH (L1) / LENGTH (L2)

- _____ mm / _____ mm

MOUNTING

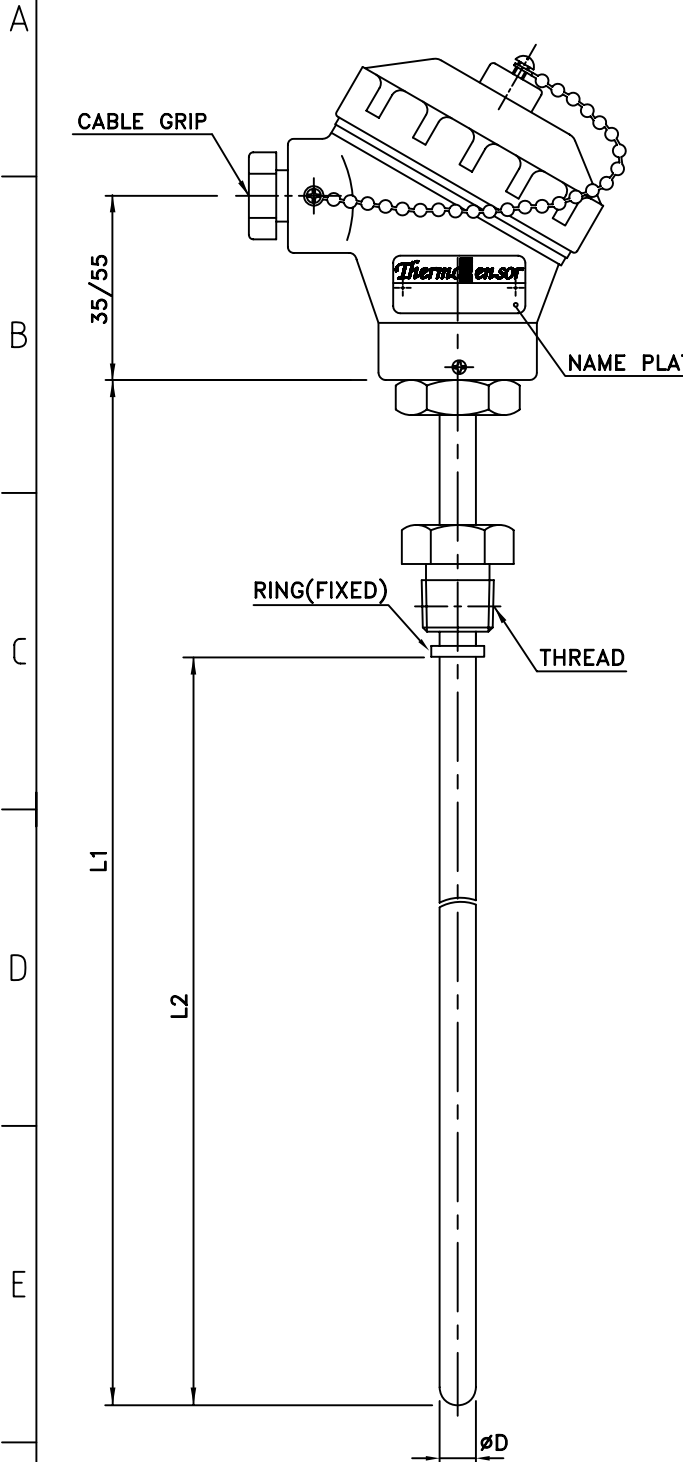
⑧ THREAD SIZE

1. PT 1/2 2. PT 3/4 3. PF 1/2
 4. PF 3/4 5. OTHER []

⑨ THREAD MATERIAL

1. SUS304 2. SUS316 3. OTHER []

SPECIAL REQUIREMENT



5					CUSTOMER	Design	Scale	N.S
4						Checked	Wt Est	<input type="checkbox"/> <input type="checkbox"/> <input type="checkbox"/> <input type="checkbox"/>
3						Approved	Date	
2						TITLE		
1					MODEL			
Item	Part Name	Material	Q'ty	Remark				